

911 address shall be a minimum 3" lettering marked on meter enclosure, pole, or durable material attached to pole and should be visible from street. (See sections 1-3, 3, 4)

Meter socket designed for underground service.

Rigid/intermediate metal (steel), rigid aluminum, EMT, or schedule 80 PVC grey conduit with U.V. protection.

Weatherproof enclosure with fuse or circuit breaker

Ground wire to be fastened to the pole and sized per table below.

Threaded coupling, adapter, or sleeve as appropriate (above ground)

6" max.

2'-6" min.

Protective bushing required on end of conduit unless complete conduit system is used.

36" Radius - Factory Bend (If PVC, sched. 80 required)

For location of pole consult the Company.

Minimum 6" round or 4" x 6" treated pole or equivalent

6" min. (see note 5)

Customer is responsible for wiring to the meter, all conduit, neutrals, grounds, and bonding.

Conduit strap

5/8" X 8'-0" copper clad ground rod and clamp

Upper end of ground rod to be flush with or below grade.

5'-0" to 6'-0"

3'-0" min. pole depth

**NOTES:**

1. Customer facilities shall comply with Company Standards, the National Electrical Code, and authorities having jurisdiction.
2. All conduit connections to be raintight.
3. When installing conduit system, customer shall extend conduit to pole or underground system. Consult the company for details. (See drawings SS8.6-2 and SS8.6-3).
4. Location of underground cables shall be identified prior to digging.
5. If the conduit between the meter socket and the main disconnect is not metal, a bonding ground is required (see section 13.5).

**Minimum Customer Wiring Size - Family Residence Single Phase**

METER SIZE	CONDUIT SIZE	Current carrying & neutral wire size (per NEC)		GROUND WIRE SIZE
		ALUMINIUM	COPPER	
100 Amp	2"	#2	#4	#6 *
200 Amp	2.5" ***	4/0	2/0	#4 **
320 Amp	3"	Consult NEC		

See NEC 310.15(B) (6) - phase conductors: NEC 220.61 - Neutral, and NEC 250.66 - Ground Wire

\* Wire smaller than #6 must be protected from physical damage (see NEC 250.120C)

\*\* For sole connection to rod, plate or pipe type electrode #6 AWG Cu is allowed (see NEC250.66A)

\*\*\* Arkansas locations only allows 2"

NO.	DATE:	REVISION	BY:	APPR:
4	2/05	UPDATED: CUSTOMER INSTALLATION STANDARDS TEAM	DAT	
3	4/02	UPDATED: CUSTOMER INSTALLATION STANDARDS TEAM	DAT	
2	5/99	UPDATED PER SERVICE STANDARDS TEAM	TKV	
1	6/98	UPDATED PER SOLUTION GROUP RECOMMENDATIONS	MCC	

**Call 48 Hours Before You Dig**  
**1-888-258-0808**

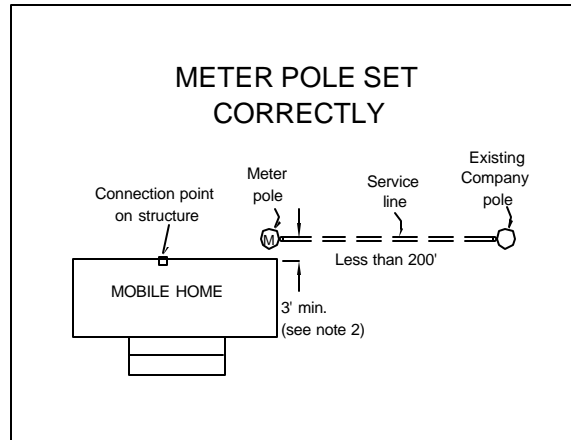
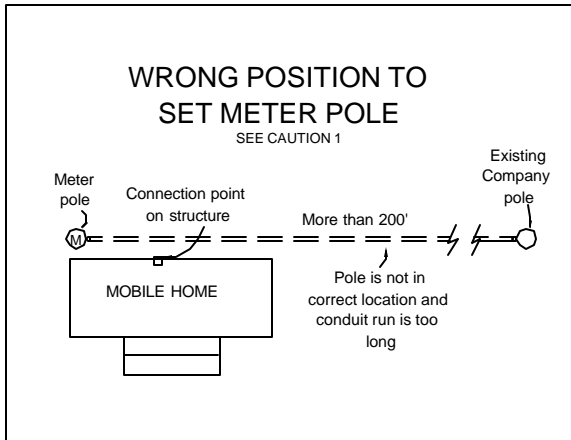
In locations with underground facilities, the Customer shall notify One Call and shall have One Call locate all underground facilities before digging. It shall be the responsibility of the Customer to stay clear of all underground facilities.

**ENTERGY SERVICES, INC.**

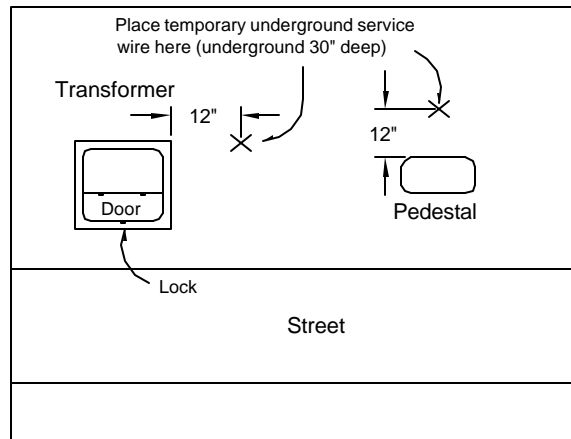
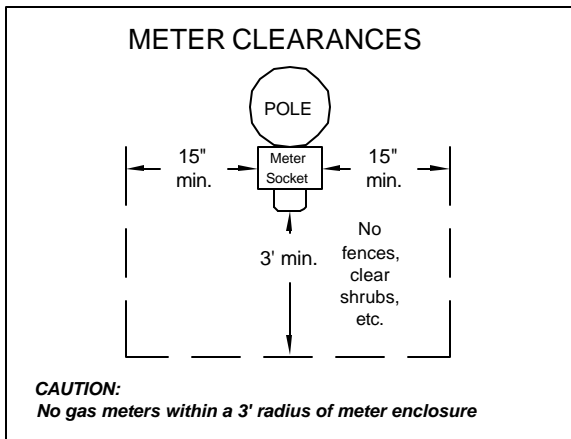
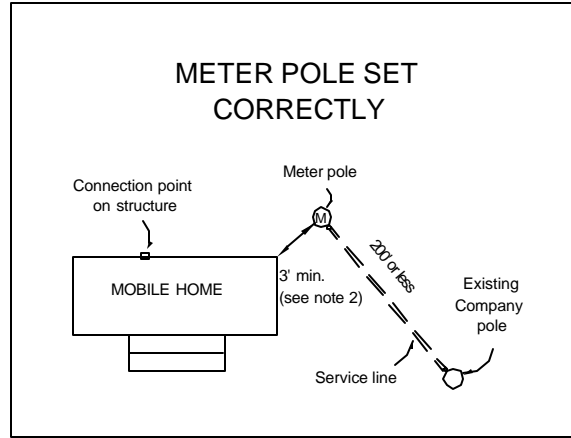
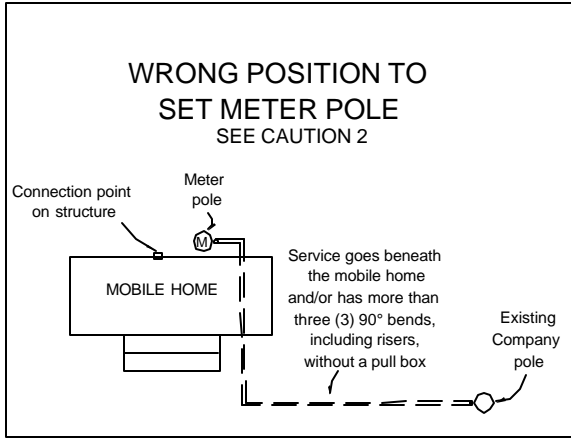
**DETAILS FOR TYPICAL SINGLE PHASE UNDERGROUND SERVICE TO A MOBILE HOME**

APPROVED BY: JDS	DATE: APRIL 1998
CHECKED BY: LKE	SCALE: 3/4"=1'-0"
DRAWN BY: WINK-AJC	
<b>No. SS4.6-3</b>	
PLOT 1=1	SH. 1 OF 1





**CAUTION 1:** Maximum length is 200'. For longer lengths contact the company (see note 3). This may involve additional costs to the customer.



**CAUTION 2:** For a conduit installation having more than three (3) 90° bends, including bends in conduit on meter pole and utility pole, an approved pull box may be required (see note 3). This may involve additional cost to the customer. Company owned or maintained underground service shall not be installed beneath a mobile home or any other structure (see note 4).

**Notes:**

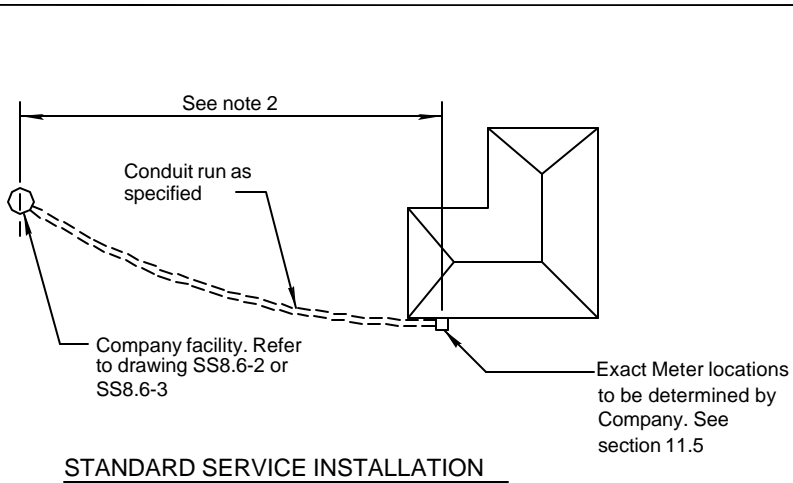
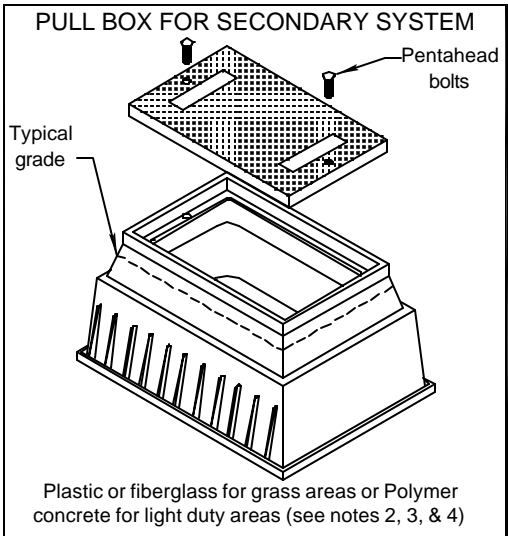
1. Customer facilities shall comply with Company Standards, the National Electrical Code, and authorities having jurisdiction.
2. Meter pole shall be more than 3' from the mobile home (see drawing SS8.6-6 Meter Clearances).
3. It is recommended that the customer contact the company prior to the installation of the conduit system.
4. Company owned or maintained underground service shall **not** be installed beneath a mobile home or any other structure.
5. The customer is responsible for clearing and maintaining all right of way.

**Call 48 Hours Before You Dig**  
**1-888-258-0808**

In locations with underground facilities, the Customer shall notify One Call and shall have One Call locate all underground facilities before digging. It shall be the responsibility of the Customer to stay clear of all underground facilities.

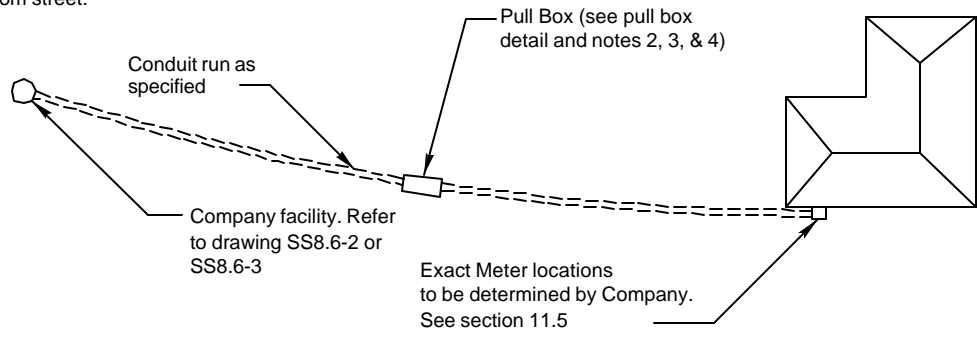
<b>ENTERGY SERVICES, INC.</b>			
<b>Underground Service Details for Single Mobile Home Installation</b>			
APPROVED BY:	JRH	DATE:	March 2002
CHECKED BY:	LKE	SCALE:	None
DRAWN BY:	DAT		
<b>Entergy</b>		<b>No. SS4.6-4</b>	
PLOT	1=1	SH.	1 OF 1

2	3/08	UPDATED: CUSTOMER INSTALLATION STANDARDS TEAM	DAT	
1	2/05	UPDATED: CUSTOMER INSTALLATION STANDARDS TEAM	DAT	
NO.	DATE:	REVISION	BY:	APPR:



**STANDARD SERVICE INSTALLATION**

911 address shall be a minimum 3" lettering marked on structure, or meter enclosure and should be visible from street.



**STANDARD SERVICE INSTALLATION WITH PULL BOX**

**Notes:**

1. Customer facilities shall comply with Company Standards, the NEC, and authorities having jurisdiction.
2. Customer shall consult with company for location and type of pull box for any length over 200'.
3. If more than three 90° bends (including riser bends and regardless of length) are required in any run, consult the company.
4. Pull box shall be installed at a 90° bend or the center of run and be of sufficient strength to support probable local traffic (consult Company for box in areas with traffic or trucks driving over boxes). Recommended size: 17" W X 30" L X 18" D.
5. The Customer shall bear the cost of conduit and its installation.
6. See table for conduit diameter.
7. The customer shall install 80lb non-metallic (manila or grass) pull line or bull tape in the conduit. Conductor normally supplied by Company.
8. Underground service conduit shall be separated from telephone, cable, or water facilities by not less than 3" of concrete, 4" of brick masonry, or 12" of well tamped earth and 18" of well tamped earth for gas facilities (NESC 320.B.2 and NESC 354.A.2).
9. Conduit shall bear the U.L. label, either rigid nonmetallic (schedule 80 PVC above ground, schedule 40 below grade, gray only) or rigid /intermediate metal conduit (aluminum not permitted below grade). If metal conduit is used below grade, corrosion protection shall be provided.
10. Conduit required in restricted areas.
11. Additional details are found in other drawings SS8.6-2, SS8.6-3, SS8.6-4 and SS8.6-5.

CONDUIT SIZE REQUIRED	
TRIPLEX CONDUCTOR SIZE (AWG)	CONDUIT DIAMETER
1/0 4/0	2.5"
1/0 4/0*	2" Arkansas only
350 kcm	3"

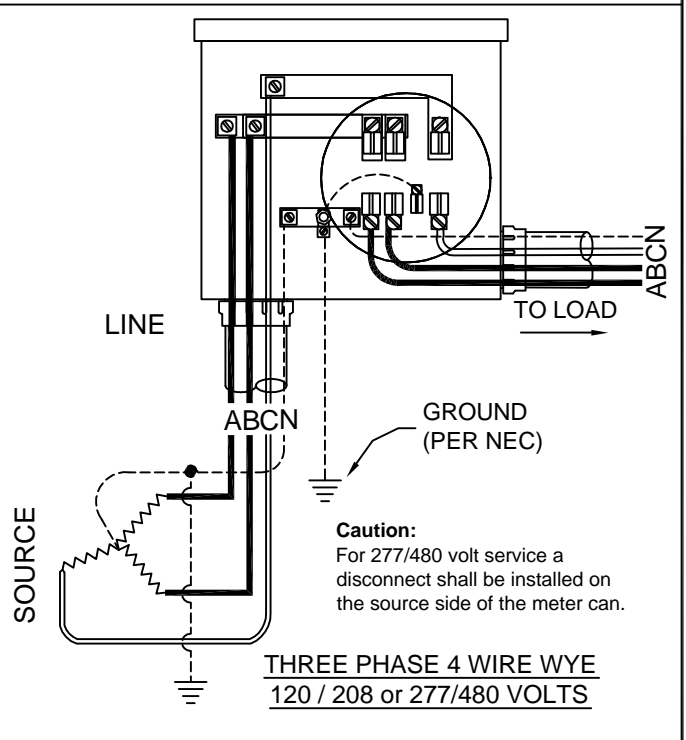
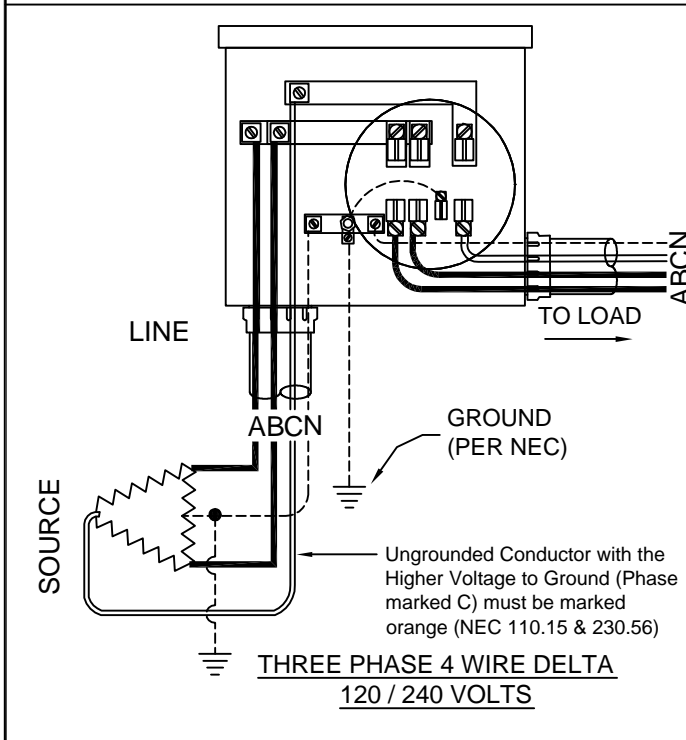
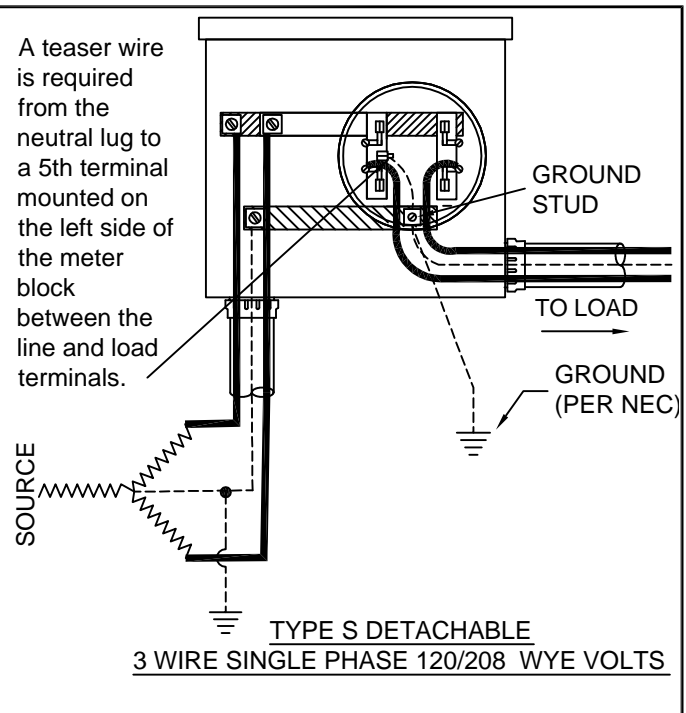
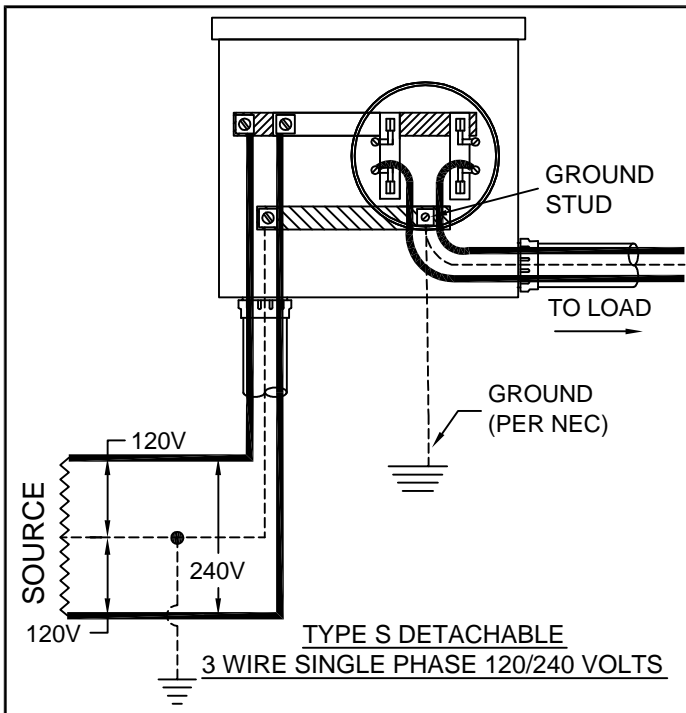
\* ARKANSAS ONLY

**Call 48 Hours Before You Dig  
1-888-258-0808**

In locations with underground facilities, the Customer shall notify One Call and shall have One Call locate all underground facilities before digging. It shall be the responsibility of the Customer to stay clear of all underground facilities.

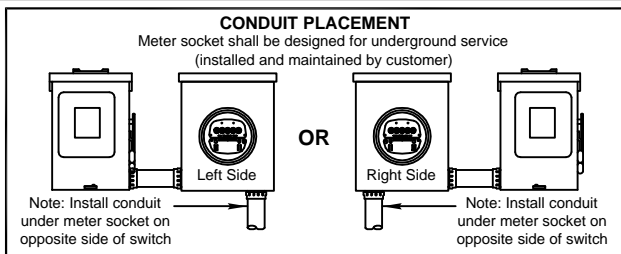
<b>ENTERGY SERVICES, INC.</b>	
<b>TYPICAL CONDUIT SYSTEM REQUIREMENTS FOR SINGLE PHASE CUSTOMER UNDERGROUND SERVICE</b>	
APPROVED BY: <b>JDS</b>	DATE: <b>April 1998</b>
CHECKED BY: <b>LKE</b>	SCALE: <b>NONE</b>
DRAWN BY: <b>WINK-AJC</b>	
<b>No. SS8.6-1</b>	
<b>PLOT 1=1 SH. 1 OF 1</b>	

4	2/05	UPDATED: CUSTOMER INSTALLATION STANDARDS TEAM	DAT	
3	4/02	UPDATED: CUSTOMER INSTALLATION STANDARDS TEAM	DAT	
2	5/99	UPDATED PER SERVICE STANDARDS TEAM	TKV	
1	6/98	UPDATED PER SOLUTIONS GROUP RECOMMENDATIONS	MCC	
NO.	DATE:	REVISION	BY:	APPR:



**Notes:**

1. All diagrams on this drawing show connections when the switch is installed on the right side (see Right Side below) of the meter socket. If the switch is installed on the left side of the meter socket you will need to mirror this diagram (see Left Side below).
2. All sockets, except residential single phase less than 320 Amps, shall have a manual mechanical gang operated bypass switch.
3. Load and supply wires shall not cross in the meter socket (11.1.2.7)



ENTERGY SERVICES, INC.

**WIRING DIAGRAM CONNECTIONS FOR UNDERGROUND SELF CONTAINED METERS**

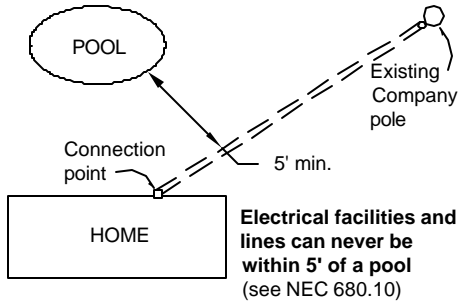
APPROVED BY: JRH	DATE: APRIL 2005
CHECKED BY: JED	SCALE: NONE
DRAWN BY: DAT	

**No. SS11.8-2**

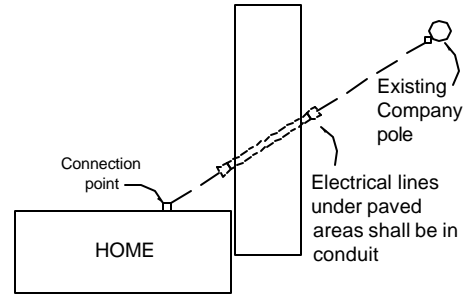
PLOT 1=1 SH. 2 OF 2

1	3/08	UPDATED: CUSTOMER INSTALLATION STANDARDS TEAM	DAT	
NO.	DATE:	REVISION	BY:	APPR:

### UNDERGROUND CLEARANCE FOR SWIMMING POOL

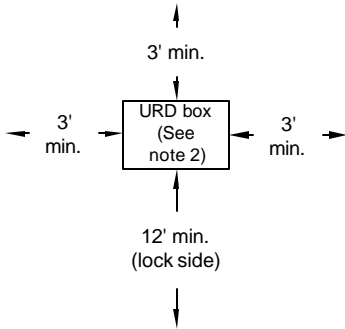


### UNDERGROUND REQUIREMENTS FOR PAVED AREAS

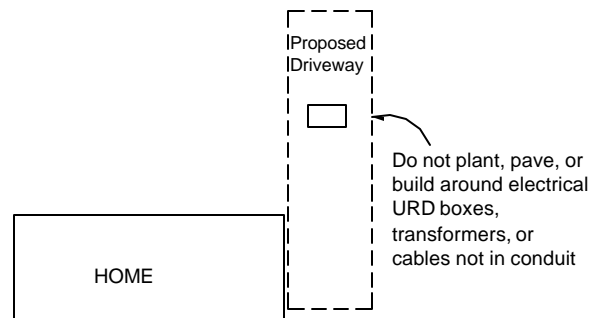


### UNDERGROUND FACILITIES CLEARANCES

From shrubs, trees, buildings, fences, decks etc.

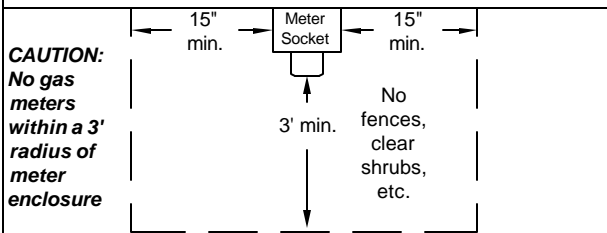


### DO NOT BLOCK ACCESS TO ELECTRICAL FACILITIES



### METER CLEARANCES

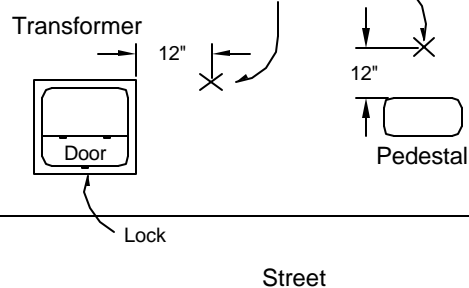
HOUSE



**CAUTION:**  
No gas meters within a 3' radius of meter enclosure

For residential service, the meter is to be located on the outside of the building on the side of the residence within three feet of the front wall and outside of the fences on the side most economical to reach the company's facilities.

Place temporary underground service wire here (underground 30" deep)



## Call 48 Hours Before You Dig 1-888-258-0808

In locations with underground facilities, the Customer shall notify One Call and shall have One Call locate all underground facilities before digging. It shall be the responsibility of the Customer to stay clear of all underground facilities.

Notes:

1. The customer is responsible for clearing and maintaining all right of way.
2. Transformers must meet requirements of drawing SS10.1-1

2	3/08	UPDATED: CUSTOMER INSTALLATION STANDARDS TEAM	DAT	
1	2/05	UPDATED: CUSTOMER INSTALLATION STANDARDS TEAM	DAT	
NO.	DATE:	REVISION	BY:	APPR:

ENTERGY SERVICES, INC.

### Underground Service Installation Details & Clearances

APPROVED BY:	JRH	DATE:	April 2002
CHECKED BY:	LKE	SCALE:	None
DRAWN BY:	DAT		



No. SS8.6-6

PLOT 1=1 SH. 1 OF 1